

AK 2

PET felt Workplace Divider Lamp

Designer

Ivan Kasner & Uli Budde

A Workplace Divider Lamp for reading tables, shared work spaces and open offices. The large shape has its own characteristic aesthetic as well as sound dampening properties to increase the sensation of privacy.



DeVorm

DURF
PROJECTINRICHTING

Voor meer informatie neem
dan contact met ons op

☎ 085-016 09 99

Specifications

Materials

PET felt, Acoustical foam, steel and PE mounting kit

Standard colour options

Light Grey, Dark Grey

Custom colour blends

Green, Dark Green, Olive, Marine, Pink, Turquoise, Beige, Brown

Lux

500 Lux on the table when placed at recommended height (15 cm from table top)

Awards

iF Design Award 2017

Ingredients

PET Felt

Acoustic foam

PE wire (standard size is 3 metres)

GU13 Lampholder

Steel cable and ceiling mounting set

Phillips LED TL 1200 mm

PET Technology

The PET felt exterior of the AK 2 is made of recycled plastic bottles. PET felt is a soft, though strong felt material that is durable and has a great acoustic performance. PET Felt is both recycled as well as recyclable itself.

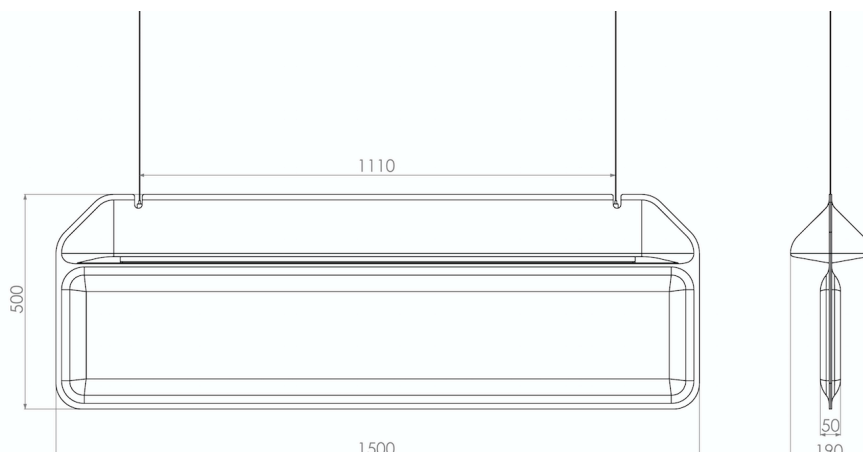
Customize the colour

Choose from our 10 different colour blends.

The options are there to make it blend in or stand out in any context. The AK 2 matches perfectly with our AK 1 Workplace Dividers.

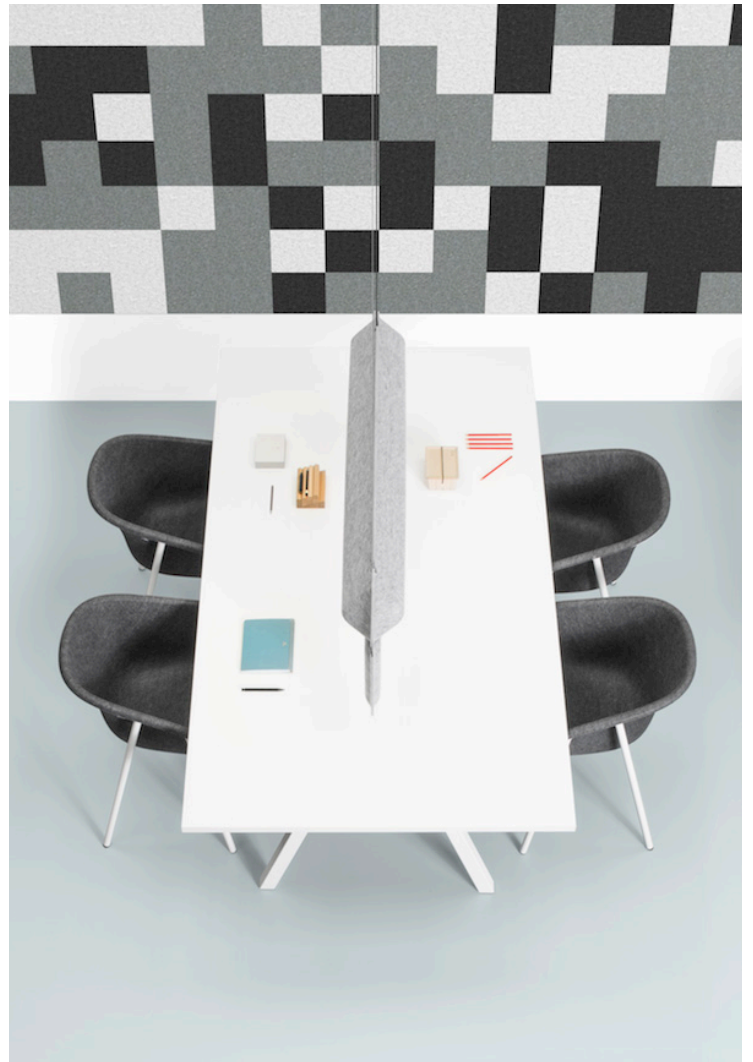


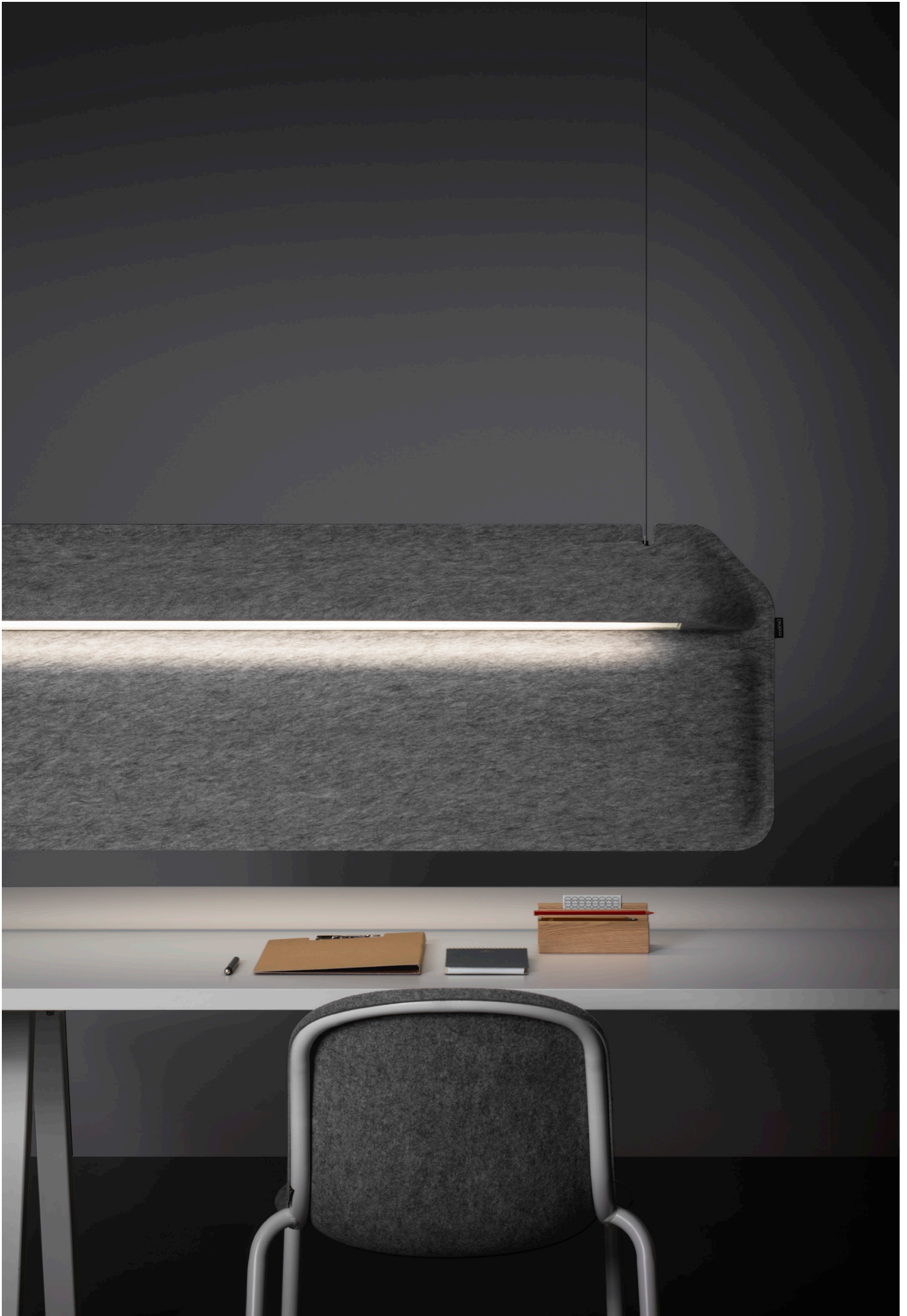
Measurements



Weight – 10 kg

Carton box – 152 x 53 x 21 cm







Shines light on both sides

Shields its users from their environment

Minimizes sound reverbaration

Made of recycled plastic bottles

Available in 10 different colour blends

Perfect match with De Vorm PET felt products

Winner of the iF Design Award 2017



DeVorm

We create interior products by today's standards.

De Vorm is established in a new era, we develop products by the standards of today. This means we produce efficiently, use the full lifecycle of products and eventually give them a new life.

Our emphasis lies on making a product that works, by setting a variety of conditions; it should be legible, accessible, but also environmental friendly and aesthetically perfectly in balance.

We like a product because of its functionality.

A good product makes life easier - it should be developed for helping us function better throughout the day. We firmly believe that the beauty of a design lies in the sum of functions that makes it a complete product.

We continuously raise the bar.

From the very first sketches we start combining and developing new techniques to find new possibilities to innovate. Our design process is infused with technical development; techniques result in aesthetic features and the other way round.