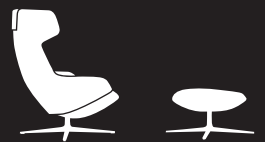


# ASTON CLUB

---

Design by Jean-Marie Massaud



## Collection overview

---

### Bases



4 ways

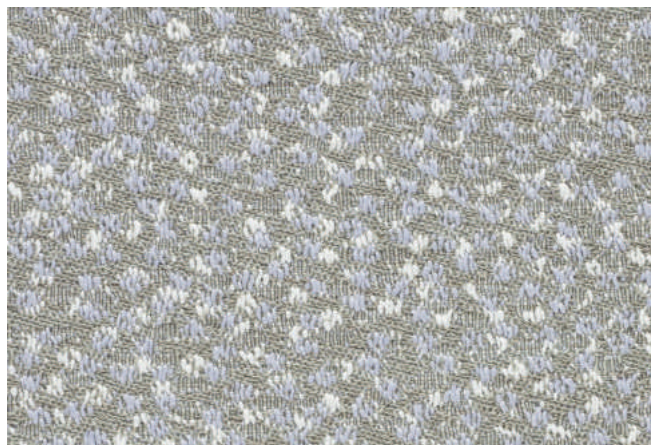
4 ways footrest

---

# Aston Club

## New Fabrics

To emphasize the striking and elegant gesture of Aston Club, we have added four further proposals to the wide range of Arper fabrics. Ria, Sonar 3, Sera and Fabthirty by Kvadrat, Rohi e Rubelli are exclusively dedicated to Aston Club.



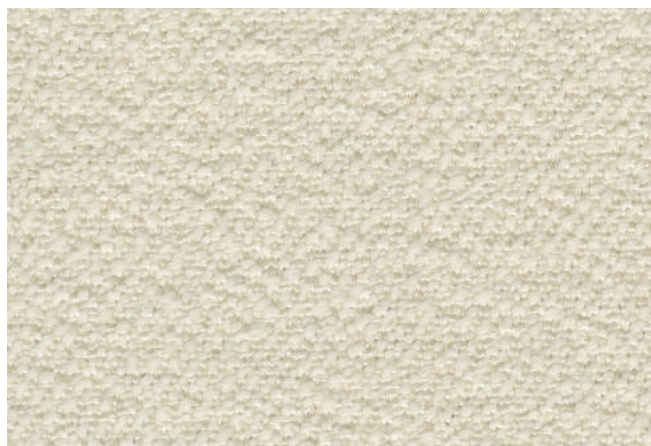
**Ria — Kvadrat Raf Simons**

15 colors



**Sonar 3 — Kvadrat Raf Simons**

17 colors



**Sera — Rohi**

26 colors

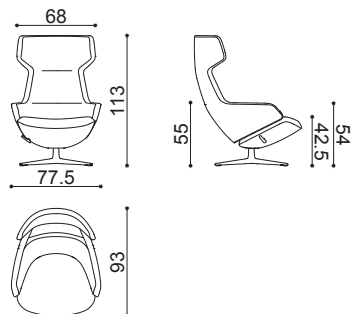


**Fabthirty — Rubelli**

30 colors

# Aston Club

Design by Jean-Marie Massaud, 2020



Lounge chair on a four-legged base in shiny or painted aluminium, featuring a height adjustment mechanism and a weight-triggered mechanism for reclining the backrest, with three set positions. The polyurethane shell is covered with fabric, leather, faux leather or a covering of the client's choice.

€ ART. 2400	A	B COM	C COL	D	E	F	G	H	I	J	K	L	M	ES
	2950	3055	3160	3265	3370	3475	3580	3685	3790	3895	4000	4105	4210	4630
SPECIAL FABRICS	Fabthirty	Ria	Sonar	Sera										
	3580	4630	4210	3580										

SHIPMENT DETAILS	TECHNICAL SPECIFICATIONS	RESISTANCE TEST
<b>Art.2400</b> 1 pz = 1  - kg 35.000/ m³ 1.180	<b>Art.2400</b> COL requirement m² 8.1 H 140 cm. COM Meterage ml 3.85	
FIRE RETARDANT TEST		

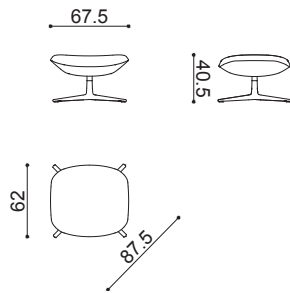
Frame Base



# Aston Club

Design by Jean-Marie Massaud, 2020

Lounge chair on a four-legged base in shiny or painted aluminium and a polyurethane shell covered with fabric, leather, faux leather or a covering of the client's choice.



€ ART. 2401	A	B COM	C COL	D	E	F	G	H	I	J	K	L	M	ES
	990	1025	1060	1095	1130	1165	1200	1235	1270	1305	1340	1375	1410	1550
SPECIAL FABRICS	Fabthirty	Ria	Sonar	Sera										
	1200	1550	1410	1200										

SHIPMENT DETAILS	TECHNICAL SPECIFICATIONS	RESISTANCE TEST
<b>Art.2401</b> 1 pz = 2  - kg 20.000/ m³ 0.000	<b>Art.2401</b> COL requirement m² 2.4 H 140 cm. COM Meterage ml 1.276	
FIRE RETARDANT TEST		

Frame Base

