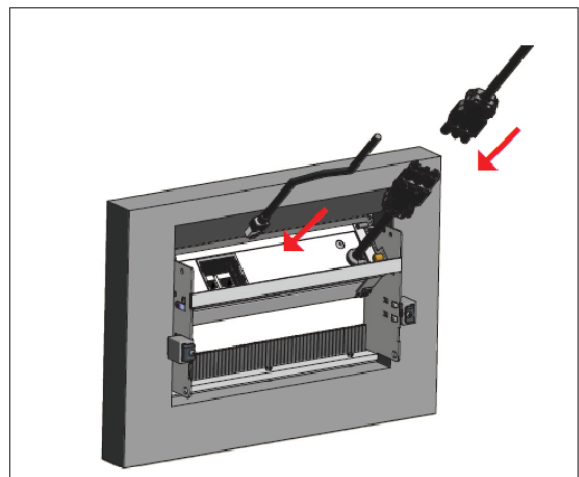
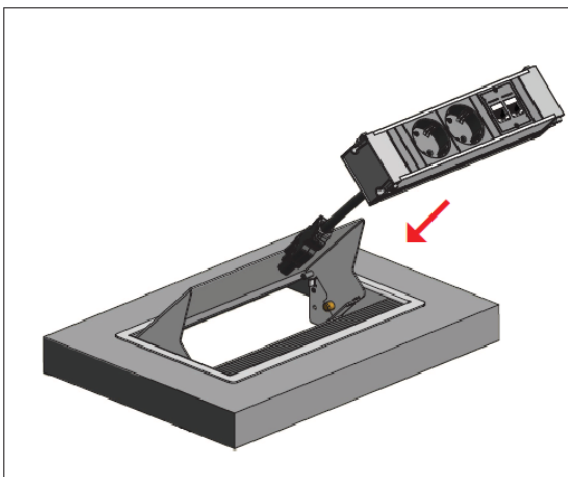
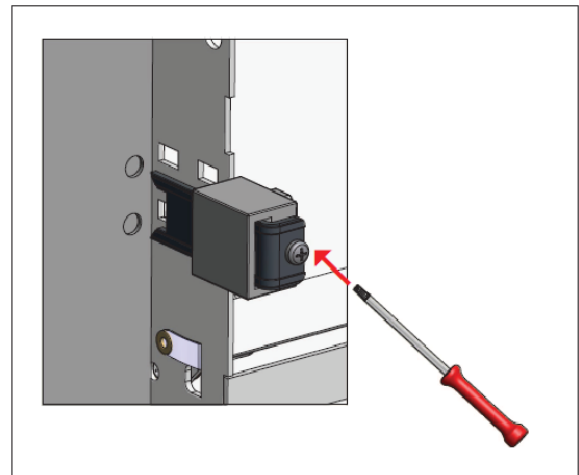
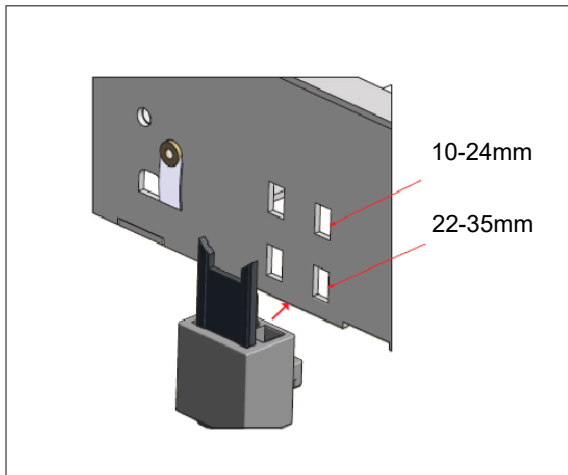
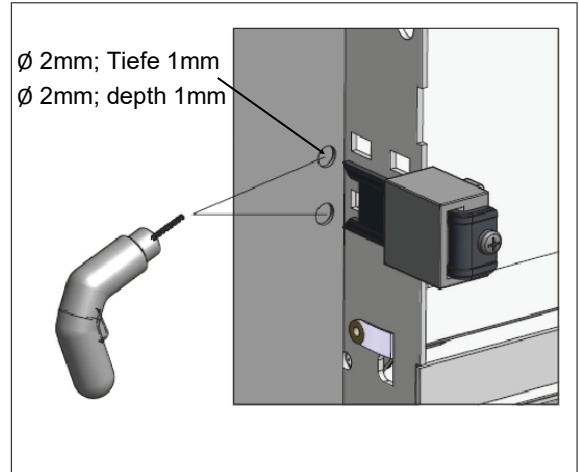
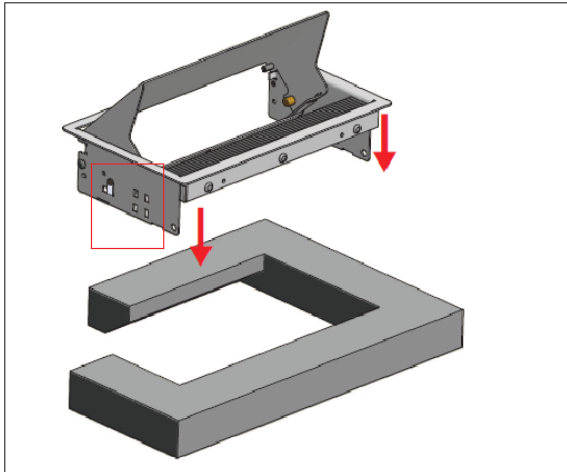
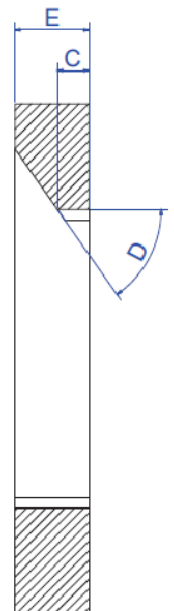
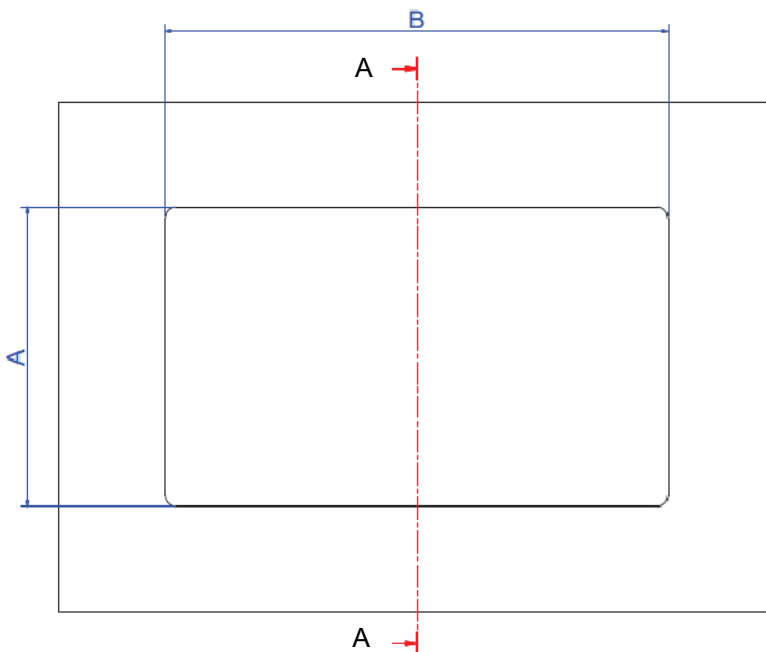
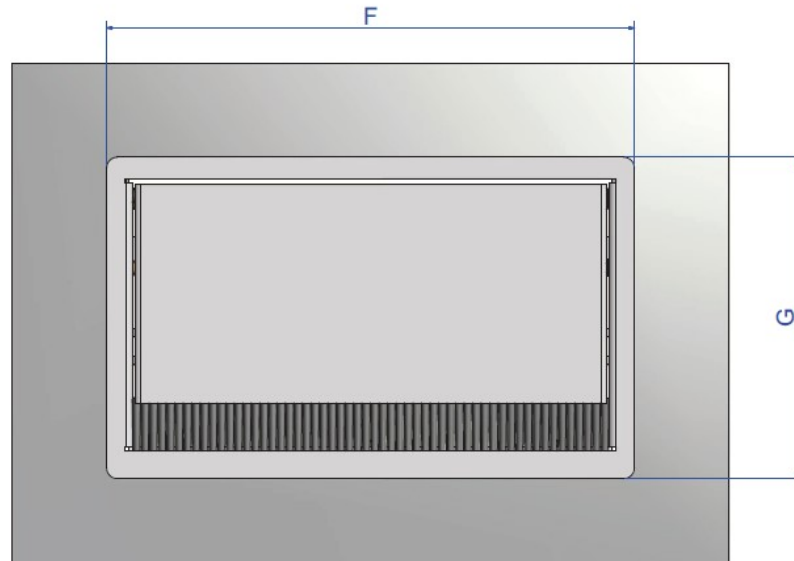


DE Montageanleitung
EN Mounting instructions
FR Instructions de montage

ES Instrucciones de montaje
RO Instrucțiuni de montare
IT Istruzioni per l'installazione





Tisch-Ausschnittmaße / Table cut-out dimensions

	A	B	C	D	E	F	G
2-fach / 2-way	138mm	187,5mm	15mm	55°	10-35mm	205,5mm	151mm
3-fach / 3-way	138mm	230mm	15mm	55°	10-35mm	248mm	151mm
4-fach / 4-way	138mm	272,5mm	15mm	55°	10-35mm	290,5mm	151mm
5-fach / 5-way	138mm	315mm	15mm	55°	10-35mm	333mm	151mm
6-fach / 6-way	138mm	368,5mm	15mm	55°	10-35mm	386,5mm	151mm

Achtung: Toleranz für alle A-/B-Maße = + 0,50mm

Attention: Tolerance for all A-/B-dimensions = + 0,50mm

Ausschnitt für flächenbündige
Version dem Produkt anpassen
Eckenradius 5mm

Adapt table section to product for
flush-mounted version
radius 5mm